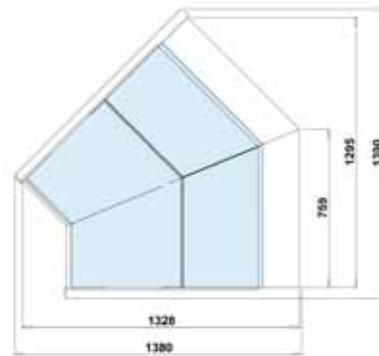
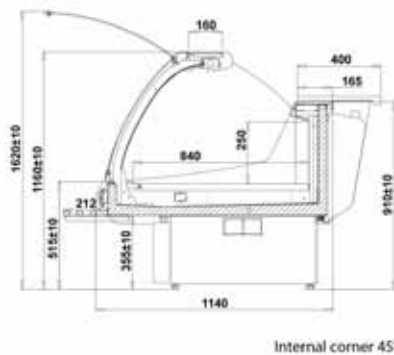
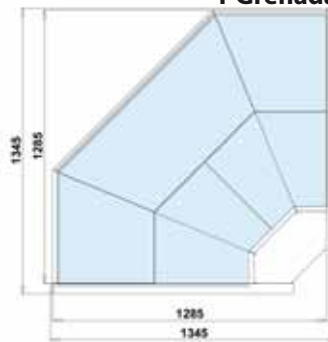
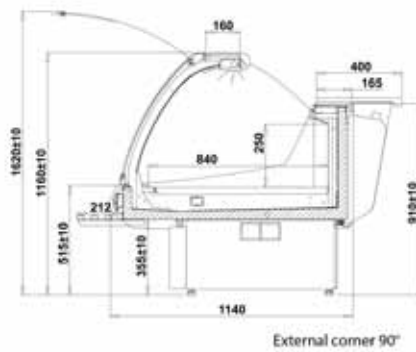


## Refrigerated Serve Overs - I-Grenada TL Corners



I-Grenada TL External Corner\*

I-Grenada TL Internal Corner\*



### Technical parameters:

Model	Dimension (ext.) H x W x D [mm]	Display surface [m <sup>2</sup> ]	Power Consumption [kWh/24h]	Weight [kg]
I-Grenada TL External Corner	1165 x 1345 x 1345	1,12	1,40	120
I-Grenada TL Internal Corner	1165 x 1390 x 1380	0,87	2,20	115

\* - Picture above presents unit with either some or all available extras. Please note that the look of basic version of cabinet, or one of your choice, may vary from presented.

## Refrigerated Serve Overs - I-Grenada TL Corners



**I-Grenada TL External Corner\***



**I-Grenada TL Internal Corner\***

### Description:

- temperature range +1 / +8°C
- preferred ambient temperature +16 / +25°C
- power supply 230V / 50Hz
- prepaierd to work with external condensing unit
- ecological polyurethane insulation
- external housing made of white coated steel - from staff side
- base and front made of powder coated steel - white
- aluminium glass frames colour - choice of colours
- plastic front bumper - choice of colours
- display deck depth 840mm
- exposition surface made of powder coated steel (white colour)
- 165mm width stainless steel worktop
- electronic control with temperature display
- automatic defrost system - evaporator electric heaters
- forced air circulation
- curved front glass - high or low
- ABS side walls (40mm thick) - choice of colours
- 1 year full warranty service and after warranty service provided

### Available options:

- multiplexing
- external housing made of stainless steel (staff side)
- front panel colour - optional colours
- base colour - optional colours
- front panel made of stainless steel
- base "legs" made of stainless steel
- additional base covering - powder coated steel - optional colours
- additional base covering made of stainless steel
- exposition area and interior made of stainless steel
- exposition area and interior made of acid resistant stainless steel
- perspex night blinds - only with high glass
- lamp with LED light colour (white) - only with high glass
- lamp with LED light colour (meat) - only with high glass
- lamp with LED light colour (confectionary) - only with high glass
- customer front shelf (aluminium profile gold or silver colour)
- small movable table - Internal Corner only
- small movable table for knives - Internal Corner only
- towel hang
- movable partition (glass on stands, placed in exposition area)
- fixed top partition (high glass fixed in exposition area)
- socket with fuse

### Choice of colours:

Side walls colours: 

Bumper colours: 

Aluminium frames colours: 

### Optional colours:

Front colours: 

Base colours: 

\* - Picture above presents unit with either some or all available extras. Please note that the look of basic version of cabinet, or one of your choice, may vary from presented.